

LR/LM - SERIES

MANUAL TORQUE
WRENCHES

Wrench clicks and momentarily release, when set torque is reached, Resulting in fast and efficient operation.

The -45tooth reversible ratchet head results in both clockwise and Counter clockwise, fine increment operation.

Dual scale reading- imperial and metric.

Rubber grip(LR), Metal grip (LM).

+/- %4 Accuracy in clockwise, direction exceeds specifications.

Ergonomic soft grips are comfortable to use.

Lock Knob secures selected torque from accidental change.

LR - SERIES

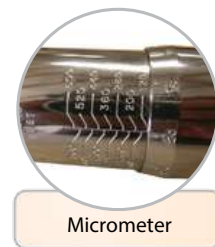
WINDOW SCALE
READING TYPE



Model	Square Drive	Torque Range		Length (mm)	Weight (Kg)
		N.m	L.b.ft		
LR12060	1/2"	10-60	9-45	360	0.82
LR12125	1/2"	25-125	22-90	420	0.9
LR12200	1/2"	40-200	30-150	460	1.02
LR12335	1/2"	65-335	50-250	520	1.16
LR34400	3/4"	80-400	60-300	700	2.75

LM - SERIES

MICRO METER
READING TYPE



Model	Square Drive	Torque Range		Length (mm)	Weight (Kg)
		N.m	L.b.ft		
LM34400	3/4"	80-400	60-300	700	2.8
LM34500	3/4"	100-500	80-400	700	2.83
LM34800	3/4"	160-800	120-600	1040	5.9
LM341000	3/4"	200-1000	150-750	1040	5.9
LM11000	1"	200-1000	150-750	1040	5.9
LM11500	1"	300-1500	200-1100	1250	9.2
LM12000	1"	400-2000	300-1500	1250	9.2
LM13000	1"	600-3000	400-2200	1250	10.50



Sturdy body construction ensures maximum durability. Comes with storage case.

Easy to read laser marked single scale dial is shock resistant and protected by a tough metal guard.

Memory needle retains highest torque reading applied. Calibrated in both CW and CCW direction.

Accuracy: +/- 3% of indicated value, CW & CCW, from 20% to 100% of full scale.

Individually serialized with matching certificate of calibration.

Model	Square Drive	Torque Range		Length (mm)	Weight (Kg)
		N.m	L.b.ft		
DT12350	1/2"	0-350	0-250	550	1.7
DT34500	3/4"	0-500	0-350	818	3.4
DT341000	3/4"	0-1000	0-700	1192	6.4
DT12000	1"	0-2000	0-1500	1620	8.8



Forged alloy steel.

Ends easily interchangeable.

Torque Handle calibrated to give correct torque at nut/bolt.

Available in: Open Ends, Ring Ends

Open, Ring and Flare Ends available in Metric and Imperial sizes.

Model	Female Head Holder Size (mm)	Torque Range		Length (mm)	Weight (Kg)	A/F Size (mm)	
		N.m	L.b.ft			Open End	Ring End
LH200	14 x 18	40 - 200	30 - 150	455	0.92	13 - 25	13 - 32
LH500	24 x 32	100 - 500	80 - 400	840	4.00	27 - 36	30 - 34
LH1000	24 x 32	200 - 1000	150 - 750	1040	4.93	27 - 36	30 - 34
LH2000	27 x 36	400 - 2000	300 - 1500	1260	9.0	27 - 95	30 - 80
LH3000	27 x 36	600 - 3000	400 - 2200	1260	10.3	27 - 95	30 - 80

LD - SERIES
DIGITAL MANUAL TORQUE
WRENCHES

Torque Units: ft.lb, Nm.

Audible (tone) preset alerts.

Comfortable non-slip grip handle.

Sealed Ratchet Head.

LED blinking for visual notifications.

Accuracy +/- 2% CW and +/- 3% CCW of readings from 20% to 100% of full scale.

Storage Temperature: 0 - 122° F (-20 - 50° C).

Humidity up to 90% non-condensing

Certificate of traceability for 20% to 100% of full scale. Includes storage case.



Digital Display

Model	Square Drive	Torque Range		Length (mm)	Weight (Kg)
		N.m	L.b.ft		
LD12147	1/2"	20 - 200	14.7 - 147	460	0.85
LD12221	1/2"	30 - 300	22.1 - 221	590	1.21

LIW - SERIES
PNEUMATIC IMPACT
WRENCH

Lifton offers industrial impact wrenches with various drive sizes and torque outputs.

Light weight and ergonomic design makes the tool easy to handle.

Suitable for opening and tightening of nuts and bolts.

Widely used in structural steel erections, marine industry, pipeline, automobile industry etc.

Air flow of 25 cfm, required at 6.3 bar.



Model	Square Drive	Torque (Max Nm)	Free Speed (R.P.M)	Over all Length(mm)	Air Inlet	Hose Size	Air Pressure (bar)	Weight (Kgs.)
LIW125	1/2"	745	11,000	160	1/4"	3/8"	6.3	1.3
LIW190	3/4"	1085	4,000	170	3/8"	3/8"	6.3	2.5
LIW190N	3/4"	2033	5,500	190	3/8"	1/2"	6.3	4.0
LIW254	1"	2034	3,500	270	1/2"	1/2"	6.3	10.2
LIW254N	1"	2445	3,500	251	1/2"	1/2"	7.93	8.35
LIW255	1"	2440	4,000	300	1/2"	3/8"	6.3 N8	6.3
LIW380	1.1/2"	3390	3,000	475	1/2"	3/8"	7.93	15.0

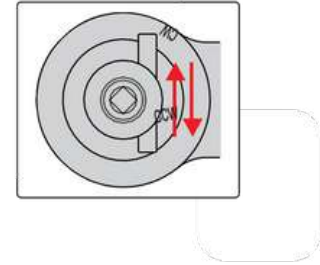
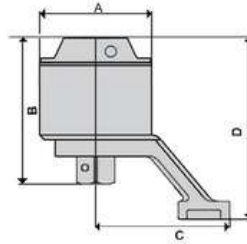
The LTM Series is heavy duty model multipliers with wide range of torque capacity.

Models are available in 6 different models and with repeatable accuracy of %5.

All LTM series models are equipped with shift pins to change the direction.

The LHT Series is model multipliers offers two range of torque capacity.

LHT Series models are having repeatable accuracy of %4.



Model	Max: Torque Range (Nm)	Ratio	Drive		Size A X B X C X D (mm)	Weight (Kg)
			Input	Output		
LTM 10	1000	4.5:1	1/2"	1"	82 x98.5x97x122.4	2.1
LTM 20	2000	12:1	1/2"	1"	82x120x105x147	3.15
LTM 35	3500	15.4:1	1/2"	1"	98x131x120x163	4.9
LTM 55	5500	18.8:1	1/2"	1.1/2"	115x163.5x137x199	8.1
LTM 75	7500	21.5:1	1/2"	1.1/2"	127x173x146x215	10.6
LTM 100	10000	27.8:1	1/2"	1.1/2"	141x170x164x238	14



Model	Max: Torque Range (Nm)	Ratio	Drive		Size Dia. X Height X Length (mm)	Weight (Kg)
			Input	Output		
LHT1500	1500	5:1	1/2"	3/4"		5.1
LHT2700	2700	5:1	3/4"	1"		5.1
LHT4500	4500	26:1	1/2"	1"	108x176.5x234	13

Compact, light weight and high strength design.

The °360 x °180 Swivel coupler helps to position the tool easily.

Multi-Position reaction arm, Consistent torque output.

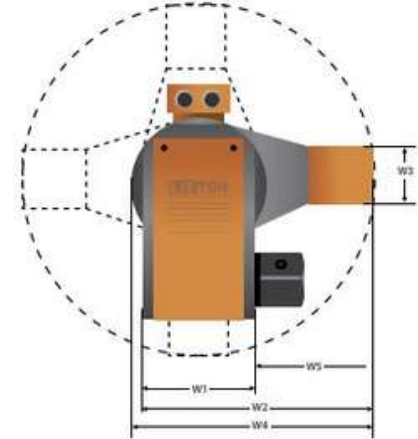
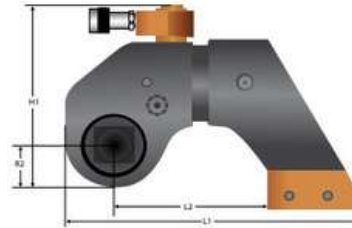
700 Bar working pressure.

Efficient mechanical design for simple and inexpensive tools services



All models are supplied with threaded type quick release coupler;

[Model FCF-142 & MCM-142]

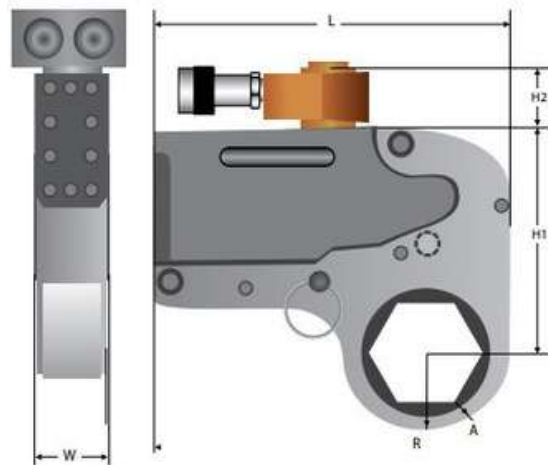


Model	Square Drive Size	Max. Torque Nm ft.lbs.	R2 (mm)	L1 (mm)	L2 (mm)	H1 (mm)	W1 (mm)	W2 (mm)	W3 (mm)	W4 (mm)	W5 (mm)	Weight (Kg)
IT X-1N	3/4"	1,852 1,365	26	194	107	140	50	113	25	118.1	63	2.7
IT X-3N	1"	4,500 3,320	34	260	145	180	70	150	37	155	80	4.8
IT X-5N	1.1/2"	7,789 5,745	40	296	162	193	80	179	40	199.7	99	8.7
IT X-7N	1.1/2"	10,715 7,902	46	325	178	211	90	200	45	212.9	110	12
IT X-11N	1.1/2"	15,528 11,452	50	366	199	227	100	220	55	236.2	120	14.5
IT X-15N	2.1/2"	20,501 14,897	56	402	218	249	112	244	60	281.9	132	19
IT X-20N	2.1/2"	26,171 19,300	60	442	240	267	120	266	67	272	146	25
IT X-25N	2.1/2"	34,928 25,758	66	483	260	291	138	288	70	296	158	37.5
IT X-35N	2.1/2"	49,627 36,598	77	558	298	323	150	327	75	334	177	44
IT X-45N	2.1/2"	59,123 43,600	80	570	303	332	163	351	80	357	188	63
IT X-50N	3"	70,315 51,855	82	596	325	366	166	361	85	367	195	89



All models are supplied with threaded type quick release coupler,

(Model FCF-142 & MCM-142)



Compact, low weight and high strength designs.

The °360 x °180 Swivel couplers help to position the tool easily.

One power head is suitable for different sizes of ratchet links.

Low neck, short height and small radius make it accessible at difficult bolting areas.

700 Bar maximum working pressure.

Consistent torque output.

Easy fixing and removal of ratchet links.

Model	Max. Torque(Nm)		Ratchet Link Size mm	Radius (R)	Oveorall Legth (L)	Link Height (H1)	Swivel Height (H2)	Tool Width (W1)	Link Weight (Kg)	Head Weight (Kg)
	Min:	Max:								
ITZ-2N	225 233	2,255 2,338	19-55 60	0.51" 12.9 mm	186mm 186mm	95mm 98mm	37mm	32mm	0.9	1.5
ITZ-4N	520 575	5,208 5,755	34-65 70-80	0.72" 18.3 mm	251mm 256mm	127mm 137 mm	49mm	42mm	1.6	3.4
ITZ-8N	1,043 1,123	10,438 11,233	41-95 100-105	0.73" 18.5 mm	308mm 308mm	154mm 163 mm	57mm	53mm	3.1	6.3
ITZ-14N	1,852	18,521	50-117	0.92" 23.0 mm	378mm	200mm	52mm	64mm	4.8	11.4
ITZ-30N	4,188 4,459	41,882 44,593	110-155 160-175	1" 25.0 mm	460mm 460mm	253mm 265mm	47mm	85mm	10.5	20.5